

# DURA-PUMP™ QUICK CADDY

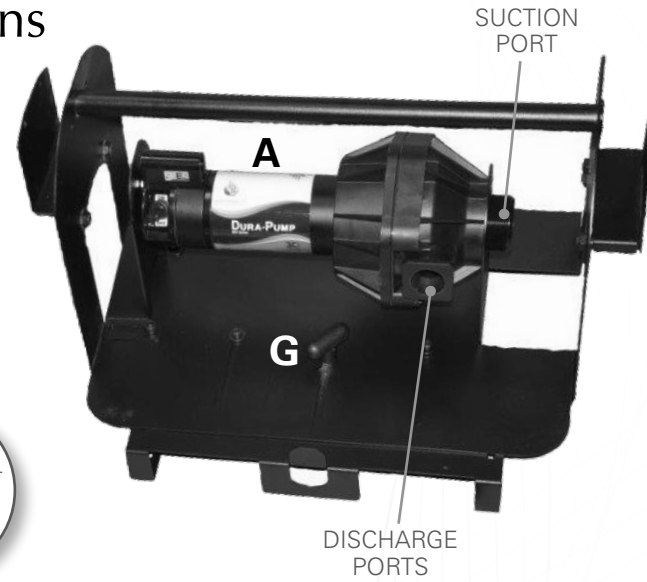
## DEF 4000 Series • Mounting Options



275/330  
TOP MOUNT  
TOP DRAW



275/330  
TOP MOUNT  
BOTTOM  
DRAW



# DURA-PUMP™ ASSEMBLY GUIDE

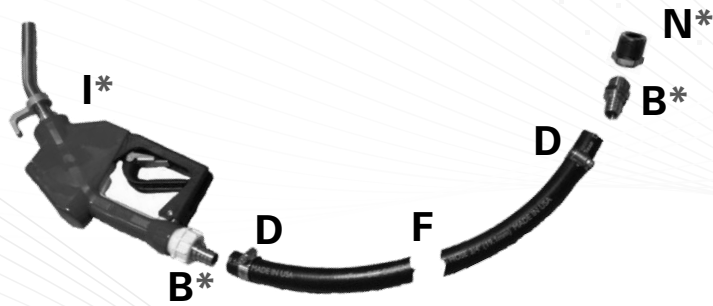
## DEF DISPENSING SYSTEMS

Congratulations on your recent Dura Products purchase.  
This guide will show you the various ways to use your device.



**TOP UNLOAD**  
FOUND ON PAGE 3

### Discharge Hose Assembly



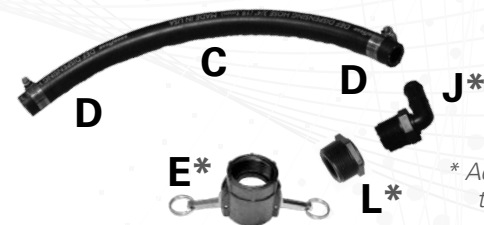
\* Add thread sealant to the threads.

### TOP Suction Hose Assembly



\* Add thread sealant to the threads.

### BOTTOM Suction Hose Assembly



\* Add thread sealant to the threads.

### CONTENTS

- |  |                                     |
|--|-------------------------------------|
| (1) <b>A</b> Dura-Pump™                | (1) <b>H</b> RSV/RPV Coupler        |
| (2) <b>B</b> Swivel                    | (1) <b>I</b> Nozzle                 |
| (1) <b>C</b> 3/4" x 5' Suction Hose    | (2) <b>J</b> 90° Hose Barb          |
| (4) <b>D</b> 3/4" Hose Clamps          | (1) <b>K</b> 18" Suction Hose       |
| (1) <b>E</b> 2" Female Cam Lock        | (1) <b>L</b> 2"x 1" Bushing         |
| (1) <b>F</b> 3/4" x 20' Discharge Hose | (1) <b>M</b> 1" Hose Barb           |
| (1) <b>G</b> Caddy                     | (1) <b>N</b> 1" x 3/4" Poly Reducer |

### TOOLS REQUIRED

- 5/16 wrench or flathead screwdriver
- Pipe thread sealant
- WD-40 (optional)

**IMPORTANT!** Apply an even coat of thread sealant on **male threads**. Hand tighten joints and torque another 1/2 to 3/4 turn until threads are sealed.



**QUICK CADDY**  
FOUND ON PAGE 4



**EASY CADDY**  
FOUND ON PAGE 2

### CUSTOMER SERVICE

Need help? For assistance call  
1-855-502-3872 Monday-Friday 8AM-5PM.



DURA PRODUCTS  
Technology with Lasting Value



DURA PRODUCTS  
Technology with Lasting Value

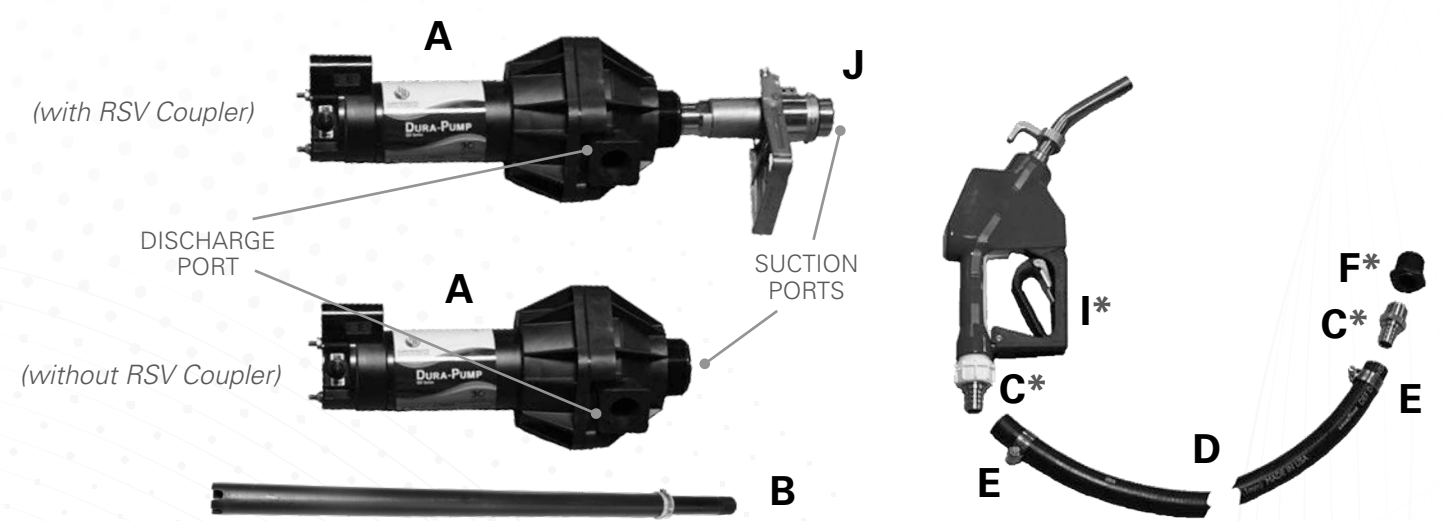
# DURA-PUMP™ EASY CADDY

## DEFE 4000 Series • Mounting Options



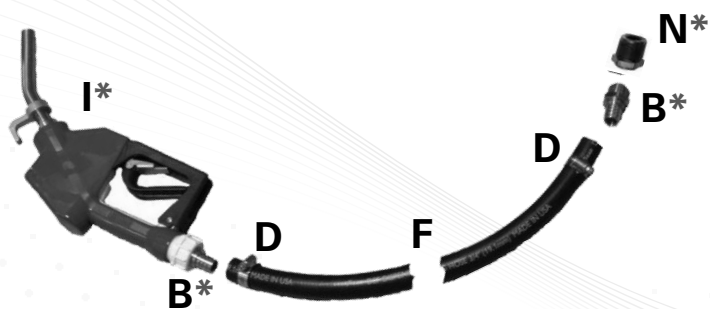
# DURA-PUMP™ TOP UNLOAD

## DEFE 4000 Series • Mounting Options



## Dura-Meter™ Assembly & Mounting Options

### Discharge Hose Assembly



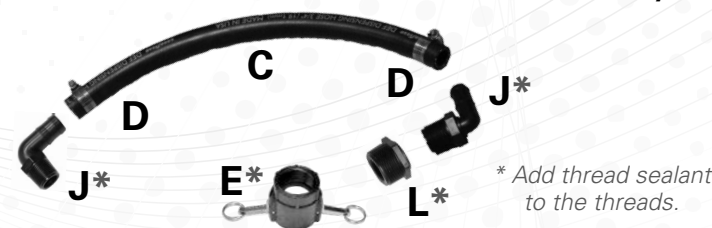
\* Add thread sealant to the threads.

### TOP Suction Hose Assembly

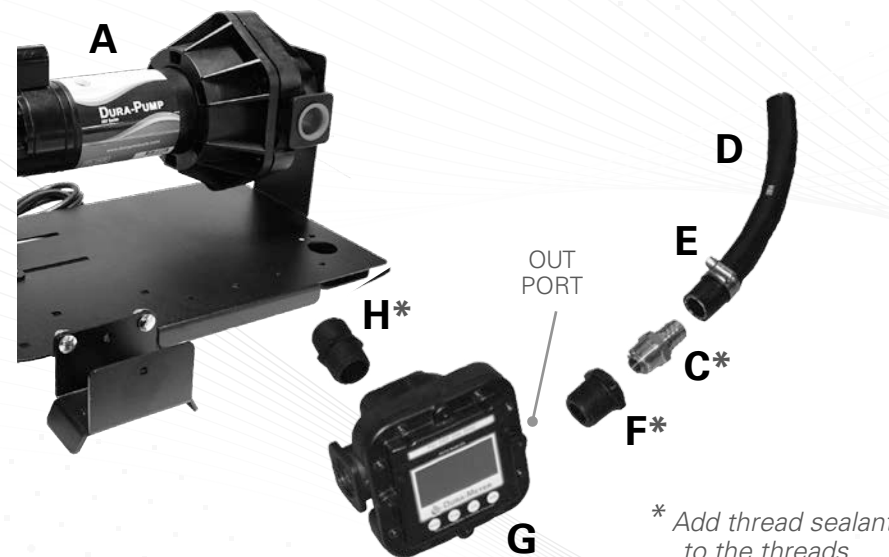


\* Add thread sealant to the threads.

### BOTTOM Suction Hose Assembly



\* Add thread sealant to the threads.



\* Add thread sealant to the threads.



TOP UNLOAD with meter



EASY CADDY with meter



QUICK CADDY with meter

#### CONTENTS

- (1) **A** Dura-Pump™
- (2) **B** Swivel
- (1) **C** 3/4" x 5' Suction Hose
- (4) **D** 3/4" Hose Clamps
- (1) **E** 2" Female Cam Lock
- (1) **F** 3/4" x 20' Discharge Hose
- (1) **G** Caddy
- (1) **H** RSV/RPV Coupler
- (1) **I** Nozzle
- (2) **J** 90° Hose Barb
- (1) **K** 18" Suction Hose
- (1) **L** 2" x 1" Bushing
- (1) **M** 1" Hose Barb
- (1) **N** 1" x 3/4" Poly Reducer

#### TOOLS REQUIRED

- 5/16 wrench or flathead screwdriver
- Pipe thread sealant
- WD-40 (optional)

**IMPORTANT!** Apply an even coat of thread sealant on **male threads**. Hand tighten joints and torque another 1/2 to 3/4 turn until threads are sealed.

#### CONTENTS

- (1) **A** Dura-Pump™
- (2) **B** 1" Downtube
- (1) **C** Swivel
- (4) **D** 3/4" x 12" Discharge Hose
- (1) **E** 3/4" Hose Clamps
- (1) **F** 1" x 3/4" Poly Reducer
- (1) **G** Dura-Meter™ (optional)
- (3) **H** 1" Nipple
- (1) **I** Nozzle
- (1) **J** RSV Coupler

#### TOOLS REQUIRED

- 5/16 wrench or flathead screwdriver
- Pipe thread sealant
- WD-40 (optional)

**IMPORTANT!** Apply an even coat of thread sealant on **male threads**. Hand tighten joints and torque another 1/2 to 3/4 turn until threads are sealed.