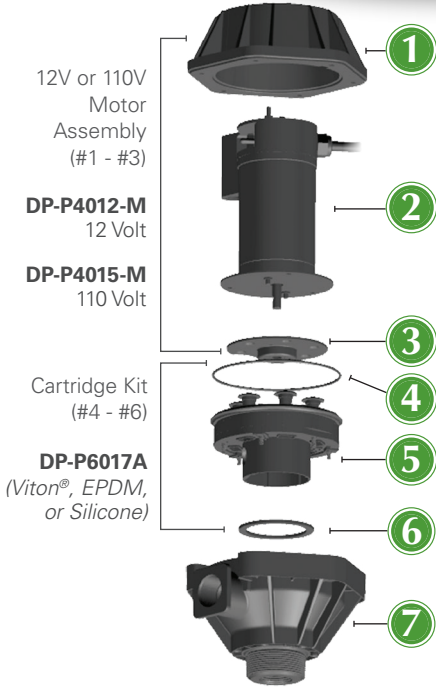


DURA-PUMP™



12V or 110V
Motor
Assembly
(#1 - #3)

DP-P4012-M
12 Volt

DP-P4015-M
110 Volt

Cartridge Kit
(#4 - #6)

DP-P6017A
(Viton®, EPDM,
or Silicone)

1

Upper Housing

DP-P4002A

2

12V or 110V Motor

3

Wobble/Drive Plate **DP-P6013D**

4

O-ring

DP-P4004AO (Viton®, EPDM, or Silicone)

5

Cartridge

DP-P6017A (Viton®, EPDM, or Silicone)

6

Bottom Gasket

DP-P4001AG (Viton®, EPDM, or Silicone)

7

Bottom Housing

DP-H4001A (Viton®, EPDM, or Silicone)

- High-Flow with up to 18GPM/68LPM flow rate; a 20% improvement in flow rate over our previous pump
- Newly redesigned, simplified cartridge for easier serviceability
- Self-priming diaphragm pump with internal by-pass
- Motor thermally protected from overheating
- 30-minute duty cycle
- Suction port has 2" Male NPT and 1" Female NPT
- Includes a 2-year Warranty & Maintenance Program

SPECIFICATIONS	
Check Valve	Internal; EPA 165.45 compliant
Vertical Suction Lift	Self-priming to 10ft, 3m
Power Cord	12 Volt: 20ft, 6m; 110 Volt: 6.5ft, 2m
Motor	¼ HP, 186W
Amps	12 Volt: 20; 110 Volt: 3.0
Suction Port	2" Male and 1" Female NPT thread
Discharge Port	1" Female NPT thread
Wetted Materials	Polypropylene; Santoprene; Viton®, EPDM, or Silicone seals; 304 Stainless Steel, PVDF (Kynar®)

ORDERING INFORMATION	
12 VOLT	110 VOLT
DP-6018V-12 Viton®	DP-6018V-110 Viton®
DP-6018E-12 EPDM	DP-6018E-110 EPDM
DP-6018S-12 Silicone	DP-6018S-110 Silicone

Always turn pump off and disconnect system from power when not in use.