

# DURA PRODUCTS

## INTRODUCING OUR NEW 1" DURA ELECTRIC VALVE

Experience the Durability and Reliability of Dura Electric Valves

Dura electric valves undergo rigorous field testing to ensure they are not only waterproof and durable but also maintenance-free and long-lasting. Every component, from the actuator housings to the electrical and valve parts, is meticulously designed with your needs in mind.

Launching with white wire control and 1" flanges.  
**More** options available in the future!



### DURABLE

- **Engineered for Excellence:** Our valves are designed for optimal actuation. The internal components are carefully selected to ensure long operational life and superior performance for both the valve and actuator.
- **Waterproof Actuator Housing**
- **2 Year Warranty**

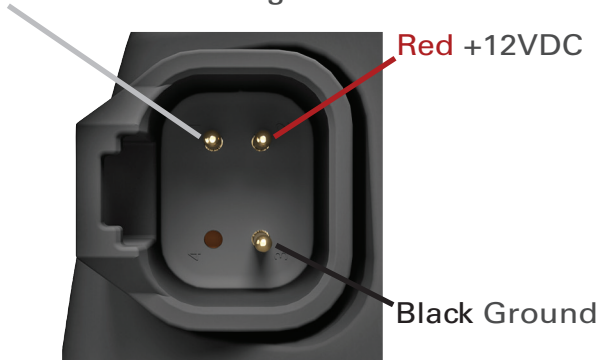
### EASY TO USE

- **Physical Indicator:** Stay informed at a glance with our intuitive physical indicator with LED lights, providing immediate visual feedback for your system's On/Off status.
- **Built-in Connector System:** Simplify your installations with our built-in connector system, allowing for easier actuator changeout and wire customization.
- **Compact Size:** Experience unparalleled efficiency with our compact design, engineered to fit seamlessly into any setup while maximizing performance.
- **Dual Operation Mode with Quick Adapter Access:** Our quick adapter access with a convenient hairpin allows for easy actuator replacement or conversion to manual operation.
- **Multi-Position Mounting:** Enjoy the flexibility of multi-position mounting, ensuring our valves fit perfectly into any configuration you need.

# 1" DURA ELECTRIC VALVE

White +12VDC Energized = Open

White 0VDC De-Energized = Close



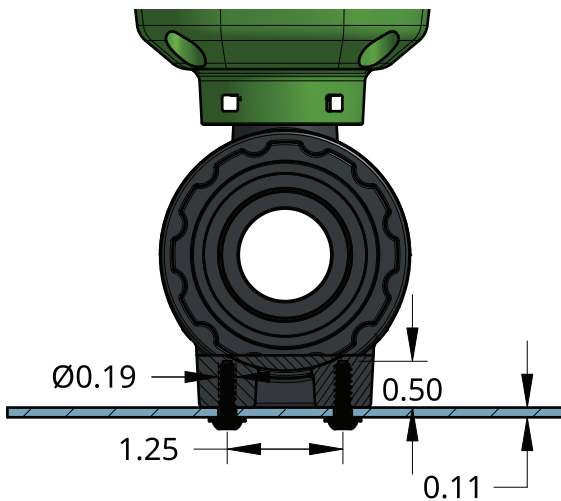
Moisture sealed circuitry.



Valve available with manual handle

ORDERING INFORMATION	
PRODUCT #	DESCRIPTION
DPEV-100	1" Dura Electric Valve, 12 VDC, 0.8 Sec, ON/OFF
DPEV-1A	Actuator Only, 1" series 12 VDC, 0.8 Sec ON/OFF, 4 Pin DT
DPMV-100	1" 2-way, 1" Flange X 1" Flange Valve with Manual Handle
DPMV-1H	Manual Valve Handle

SPECIFICATIONS	
SPECIFICATIONS	
Size	1"
Voltage	12 Volt DC
Connection	M100 Flanges
Open/Closed Indicator	Yes
On/Off Response Time	0.8 Second
IP68 Waterproof	Yes
Wiring	On/Off 3 Wire
Connector	4 Pin Deutsch
Maximum Pressure	150 PSI
Storage Temp	-40° to 185° F (-40° C to 85° C)
Operating Temp	-32° to 158° F (-35° C to 70° C)
Optional Handle	Yes
Valve Materials	Glass-filled polypropylene, PTFE seats, stainless steel ball, stem & hardware, Viton® stem o-rings, EPDM valve seal o-rings
Actuator Materials	Glass-filled Nylon, polycarbonate, Viton® & silicone seals
Dimensions	5.67" x 7.43"



## Recommended Mounting for 1" EV

Hole size of 0.191" or #11 Drill

Hole spacing of 1.25"

Thread forming screw for plastic such as Delta PT 4.5 x 1.63 x14.5

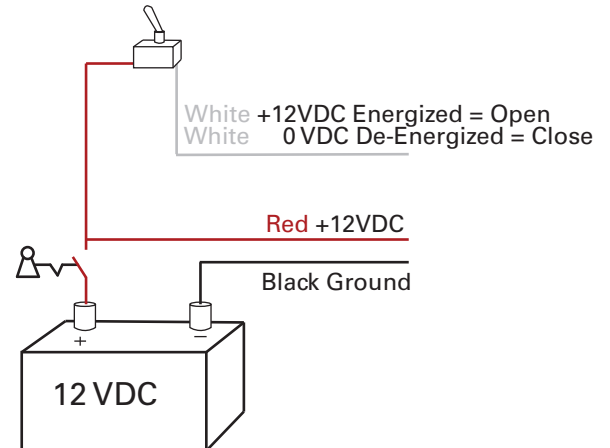
Your mounting material +0.438" (7/16") = Recommended screw length.

Example:

Mounting to 12GA Steel (0.11" thick)

Max screw length of 0.571" or 14.5mm

Min screw length of 0.375" or 9.5mm



**DURA PRODUCTS**

Technology with Lasting Value

www.DuraProducts.com

Arcadia, IN 46030 | (317) 984-4003