

DURA PRODUCTS

INTRODUCING OUR NEW 2" & 3" DURA AUTO-BATCH™ HIGH-FLOW METER SYSTEM

Fast. Simple. Safe.™



ORDERING INFORMATION		
2"	DPAB-HFM2KITV Viton®	DPAB-HFM2KITE EPDM
3"	DPAB-HFM3KITV Viton®	DPAB-HFM3KITE EPDM

KIT CONTAINS	
Valves	Custom Pressure Relief & Electric Valve
Meter	Auto-Batch™ High-Flow Meter
Other	All hose clamps, gaskets, reducer couplings & tees



Moisture sealed circuitry.



The Dura Auto-Batch High-Flow Meter is an automated device for transferring fluids. You just enter the amount you want, turn on the pump, and press Start. The meter opens a valve to send the fluid, then closes it when the amount is reached. System requires Dura's specially tuned relief valve kit to function. Can be ordered as a complete kit that includes the meter, valve and relief valve.

Auto-Batch™ Features

- Controls carrier flow using a 12-volt DC electric ball valve
- Easily select manual or automatic operation
- Returns to last volume amount dispensed for easy repeatable batching
- Displays message when batch is completed
- Dura 1" Valve available for tank bypass system
- Banjo® EVX® 2" or 3" Valves available for tank bypass system

1", 2" & 3" High-Flow Dura-Meter™

- Intuitive menu-driven backlit display
- Works with non-conductive materials
- Ability to save up to five manual calibrations
- Option to display batch volume, total volume, and flow rate
- Volume measured can be displayed in Liters or Gallons
- Ability to calibrate allows for industry minimum straight line before/after meter*

*See best practices document at duraproducts.com

1", 2" & 3" DURA AUTO-BATCH™ HIGH-FLOW METER

Fast. Simple. Safe.™



ORDERING INFORMATION

1"	DPAB-HFM1V Viton®	DPAB-HFM1E EPDM
2"	DPAB-HFM2V Viton®	DPAB-HFM2E EPDM
3"	DPAB-HFM3V Viton®	DPAB-HFM3E EPDM



ORDERING INFORMATION

	PRODUCT #	DESCRIPTION
1"	DPEV-100	1" Dura Electric Valve with Connector
2"	MEVX220-DP	2" Full Port Banjo EVX® Valve with Connector
3"	MEVX300-DP	3" Full Port Banjo EVX® Valve with Connector



ORDERING INFORMATION

	PRODUCT #	DESCRIPTION
2"	DPAB-HFM2PRV	2" Relief Valve Plumbing Kit
3"	DPAB-HFM3PRV	3" Relief Valve Plumbing Kit

RELIEF VALVE KIT CONTAINS

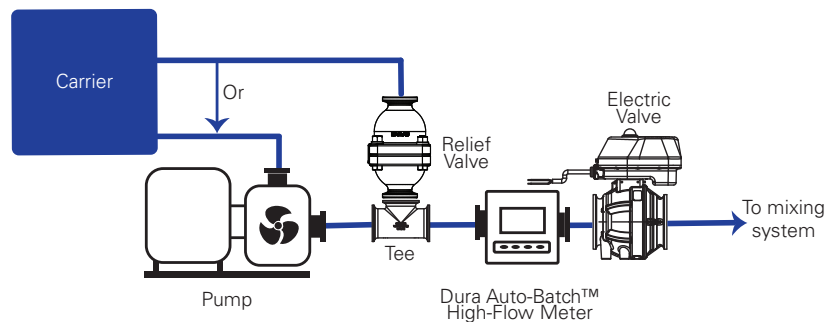
Valve	Pressure Relief*
Other	All hose clamps, gaskets, reducer couplings, and tees.

* Custom pressure relief valve

COMPARISON

Specifications	1"	2"	3"
Nominal Size	1"	2"	3"
Model	DPAB-HFM1	DPAB-HFM2	DPAB-HFM3
Connection	M100 flange	M220 flange	M300 flange
Meter Accuracy	+/- 0.5% *	+/- 0.5% *	+/- 0.5% *
Fluid Flow Initiates Measurement	Yes	Yes	Yes
Battery Size/Voltage	(2) 9 Volt	(2) 9 Volt	(2) 9 Volt
Battery Life Indicator	Yes	Yes	Yes
Backlit Display	Yes	Yes	Yes
Maximum Pressure	150 PSI	150 PSI	150 PSI
Minimum GPM	10	40	80
Maximum GPM	100	300	700
Minimum Temp	+ 32 °F	+ 32 °F	+ 32 °F
Maximum Temp	+ 140 °F	+ 140 °F	+ 140 °F
Meter Type/Style	Paddlewheel	Paddlewheel	Paddlewheel
Body Construction Material	GF Polypropylene	GF Polypropylene	GF Polypropylene
Paddle Wheel Bearing	Sapphire	Sapphire	Sapphire

* With manual calibration



DURA PRODUCTS

Technology with Lasting Value

www.DuraProducts.com

Arcadia, IN 46030 | (317) 984-4003



Scan for more info.

DPAB-HFM_1-3_SalesSheet_112024