

The 1" and 1¼" Dura Electric Actuated Stainless Steel Ball Valves are engineered for reliable, accurate fluid control in agricultural, industrial, and OEM fluid-handling systems. Built with corrosion-resistant stainless steel and a high-performance electric actuator, this valve delivers fast response, long service life, and consistent operation in harsh environments.

Designed for applications requiring automation, repeatability, and safety, Dura electric ball valves are trusted in chemical transfer, direct injection, batching systems, sprayers, nurse trailers, and industrial process control.



**DPEV-1SS**



**DPEV-125SS**

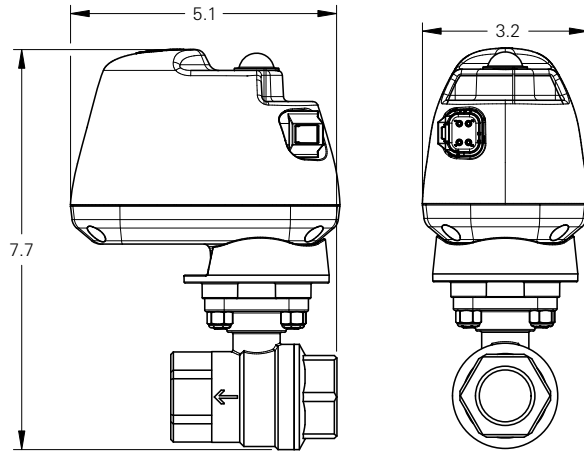
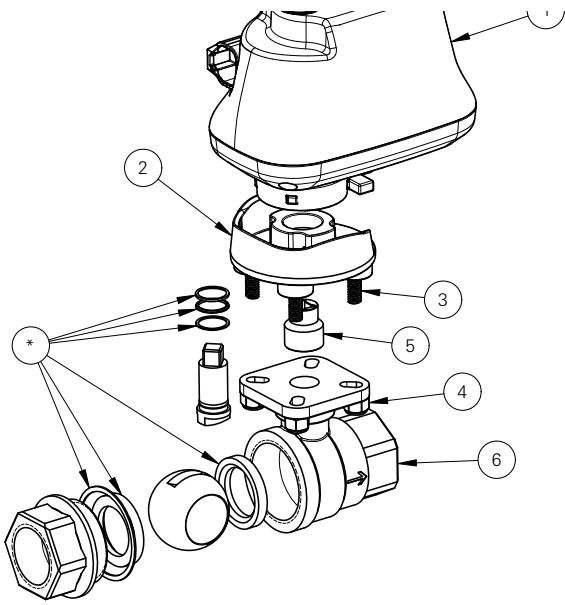
## **DURABLE**

- **Engineered for Excellence:** Our valves are designed for optimal actuation. The internal components are carefully selected to ensure long operational life and superior performance for both the valve and actuator.
- **Waterproof Actuator Housing**
- **Corrosion-Resistant Stainless Steel Construction:** Ideal for chemicals, fertilizers, DEF, water and other aggressive fluids.
- **2 Year Warranty**

## **EASY TO USE**

- **Physical Indicator:** Stay informed at a glance with our intuitive physical indicator with LED lights, providing immediate visual feedback for your system's On/Off status.
- **Compact Size:** Experience unparalleled efficiency with our compact design, engineered to fit seamlessly into any setup while maximizing performance.
- **Low Power Consumption:** Efficient electrical draw supports mobile equipment, trailers, and field applications.

ORDERING INFORMATION	
PRODUCT #	DESCRIPTION
DPEV-1SS	1" Dura Full Port Stainless Steel Electric Valve, 12V DC, 0.8 Sec, ON/OFF, Weather Pack
DPEV-125SS	1¼" Dura Full Port Stainless Steel Electric Valve, 12V DC, 0.8 Sec, ON/OFF, Weather Pack

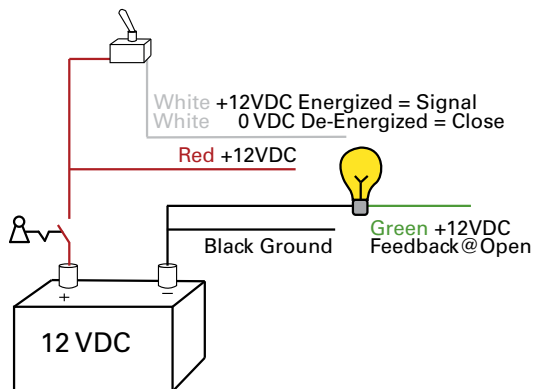
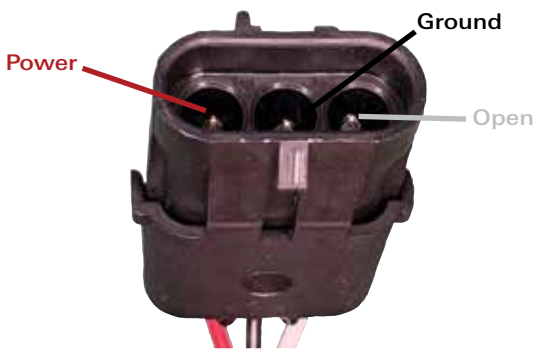


ITEMS DENOTED "\*" ARE INCLUDED IN THE SEAL REPAIR KIT

QTY	PART NUMBER	DESCRIPTION
1	DPEV-1A-OPEN	ACTUATOR, EV1, ON/OFF W/ OPEN FEEDBACK
1	105-0009	BRACKET, EV1 TO ISO F05
4	100-0022	Bolt, 1/4-20 x 7/8 in, Hex Head, SS
4	101-0004	NUT, 1/4-20, NYLOC
1	208-0004	COUPLER, EV1 TO 1" SS
1	200-0001	VALVE, SS, 1" FULL PORT, 2-PIECE
1	398-0005	HARNESS ADAPTER, DT4 PLUG X WP 3 PIN SHROUD (NOT SHOWN)

ORDERING INFORMATION	
PRODUCT #	DESCRIPTION
DPEV-1SS-SEALKIT	1" SS Seal Repair Kit
DPEV-125SS-SEALKIT	1 1/4" SS Seal Repair Kit

SPECIFICATIONS	
<b>Size</b>	1" or 1 1/4"
<b>Voltage</b>	12 Volt DC
<b>Connection</b>	1" or 1 1/4" Female NPT
<b>Open/Closed Indicator</b>	Yes
<b>On/Off Response Time</b>	0.8 Second
<b>IP68 Waterproof</b>	Yes
<b>Wiring</b>	On/Off 3 Wire
<b>Connector</b>	Weather Pack
<b>Maximum Pressure</b>	600 PSI
<b>Storage Temp</b>	-40° to 185° F (-40° C to 85° C)
<b>Operating Temp</b>	32° to 158° F (35° C to 70° C)
<b>Optional Handle</b>	Yes
<b>Valve Materials</b>	CF8M SS Body, 316 SS Ball and Stem, PTFE seats and body seal, Viton® and PTFE stem seals
<b>Actuator Materials</b>	Glass-filled Nylon, polycarbonate, Viton® & silicone seals
<b>Dimensions</b>	5.3" x 3.2" x 7.7"



**DURA PRODUCTS**  
Technology with Lasting Value  
[www.DuraProducts.com](http://www.DuraProducts.com)  
Arcadia, IN 46030 | (317) 984-4003

Dura\_SS\_Valves\_062026