

ANHYDROUS REPLACEMENT ACTUATORS OR COMPLETE VALVES

DURABLE

- **Engineered for Excellence:** Our valves are designed for optimal actuation. The internal components are carefully selected to ensure long operational life and superior performance for both the valve and actuator.
- **Waterproof Actuator Housing**
- **2 Year Warranty**

EASY TO USE

- **Physical Indicator:** Stay informed at a glance with our intuitive physical indicator with LED lights, providing immediate visual feedback for your system's On/Off status.
- **Plug and play** to Raven® system harness
- **Compact Size:** Experience unparalleled efficiency with our compact design, engineered to fit seamlessly into any setup while maximizing performance.
- **Dual Operation Mode with Quick Adapter Access:** Our quick adapter access with a convenient hairpin allows for easy actuator replacement or conversion to manual operation.
- **Multi-Position Adapter on Actuator:** Allows for adapting to different valve configurations.
- **Fast shut-off:** Ensures that application stops exactly where needed, reducing over-application (which wastes product and risks crop damage) and reduces chemical exposure to operators.



DPEV-1A-RAVENNH3*

*Actuator and Mounting Bracket/Hardware Only. Does **not** include valve.



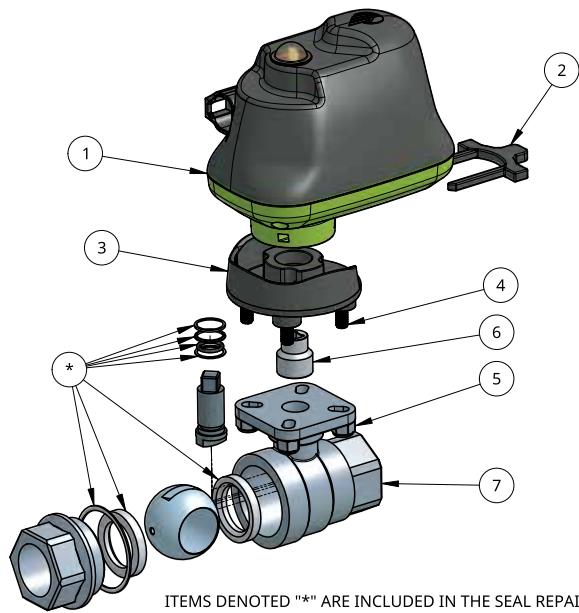
DPEV-1NH3

DPEV-125NH3

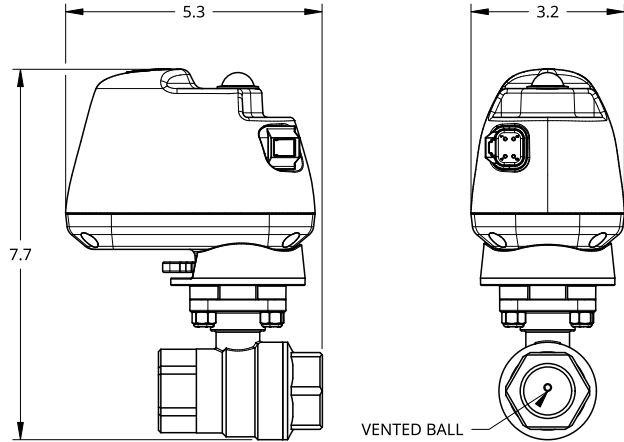


ORDERING INFORMATION	
PRODUCT #	DESCRIPTION
DPEV-1A-RAVENNH3	RAVEN® 1" NH3 Replacement Actuator Kit, Raven®/Conxall® Connector
DPEV-1NH3	Dura 12V 1" Full Port Ball Valve for NH3, Stainless, On/Off, 1" FPT Ports, Raven®/Conxall® Connector
DPEV-125NH3	Dura 12V 1 1/4" Full Port Ball Valve for NH3, Stainless, On/Off, 1 1/4" FPT Ports, Raven®/Conxall® Connector

Raven® is a registered trademark of CNH Industrial.
 Conxall® is a registered trademark of HEICO Corporation.
 Dura Products is not affiliated with or endorsed by these companies



ITEMS DENOTED "*" ARE INCLUDED IN THE SEAL REPAIR KIT



ITEM	QTY	PART NUMBER	DESCRIPTION
1	1	DPEV-1A-OPEN	ACTUATOR, EV1, ON/OFF W/ OPEN FEEDBACK
2	1	150-0001	HAIRPIN, EV1 SERIES, NYLON, BLACK
3	1	105-0009	BRACKET, EV1 TO ISO F05
4	4	DP-P6016A	BOLT, 1/4-20 X 1"
5	4	101-0004	NUT, 1/4-20, NYLOC
6	1	208-0004	COUPLER, EV1 TO 1" SS
7	1	200-0001	VALVE, SS, 1" FULL PORT, 2-PIECE
7	1	200-0005	VALVE, SS, 1 1/4" FULL PORT, 2-PIECE
8	1	398-0010	HARNESS ADAPTER, EV1 DT4 X RAVEN CONXALL (NOT SHOWN)

ORDERING INFORMATION

PRODUCT #	DESCRIPTION
DPEV-100NH3-SEALKIT	1" NH3 Seal Repair Kit
DPEV-125NH3-SEALKIT	1 1/4" NH3 Seal Repair Kit

SPECIFICATIONS	
SPECIFICATIONS	
Size	1" or 1 1/4"
Voltage	12 Volt DC
Connection	1" or 1 1/4" Female NPT
Open/Closed Indicator	Yes
On/Off Response Time	0.8 Second
IP68 Waterproof	Yes
Wiring	On/Off 3 Wire motor control with 1 wire open position confirmation (compatible with Raven® harness & controls)
Connector	4 Pin Conxall®
Maximum Pressure	600 PSI
Storage Temp	-40° to 185° F (-40° C to 85° C)
Operating Temp	32° to 158° F (35° C to 70° C)
Optional Handle	Yes
Valve Materials	CF8M SS Body, 316 SS Ball and Stem, PTFE seats and body seal, EPDM and PTFE stem seals
Actuator Materials	Glass-filled Nylon, polycarbonate, Viton® & silicone seals
Dimensions	5.3" x 3.2" x 7.7"

